

# **INITIAL RECEIPT**


**United States Department of the Interior**  
**Bureau of Land Management**  
 DIV OF LANDS, MINRLS & ENERGY  
 ONE N CENTRAL AVE  
 PHOENIX, AZ 85004 -4427  
 Phone: 602-417-9200

Receipt	
No:	4667639

<b>Transaction #:</b> 4790958
<b>Date of Transaction:</b> 01/22/2020
<b>CUSTOMER:</b>
BRUCE CORNWELL 78-1095 BISHOP RD HOLUALOA, HI 96725-8715 US

LINE #	QTY	DESCRIPTION	REMARKS	UNIT PRICE	TOTAL
1	8.00	LOCATABLE MINERALS / MINING CLAIMS-NEW, UNADJUD, ONE OR MORE AUTH NOS / NEW MINING CLAIM PROCESSING FEE CASES: AMC458901/\$20.00, AMC458902/\$20.00, AMC458903/\$20.00, AMC458904/\$20.00, AMC458905/\$20.00, AMC458906/\$20.00, AMC458907/\$20.00, AMC458908/\$20.00		- n/a -	160.00
2	8.00	LOCATABLE MINERALS / MINING CLAIMS-NEW, UNADJUD, ONE OR MORE AUTH NOS / NEW MINING CLAIMS LOCATION FEE CASES: AMC458901/\$40.00, AMC458902/\$40.00, AMC458903/\$40.00, AMC458904/\$40.00, AMC458905/\$40.00, AMC458906/\$40.00, AMC458907/\$40.00, AMC458908/\$40.00		- n/a -	320.00
3	8.00	LOCATABLE MINERALS / MINING CLAIMS-NEW, UNADJUD, ONE OR MORE AUTH NOS / NEW MINING CLAIMS MAINTENANCE FEE CASES: AMC458901/\$165.00, AMC458902/\$165.00, AMC458903/\$165.00, AMC458904/\$165.00, AMC458905/\$165.00, AMC458906/\$165.00, AMC458907/\$165.00, AMC458908/\$165.00		- n/a -	1320.00
<b>TOTAL:</b>					<b>\$1,800.00</b>

PAYMENT INFORMATION			
1	AMOUNT:	1800.00	POSTMARKED: N/A
	TYPE:	CHECK	RECEIVED: 01/21/2020

  
 JAN 27 2020  
 BY: *RAM*

CHECK NO:	1007
NAME:	SCHREINER, LARRY BOX 1502 QUARTZSITE AZ 85346 US

REMARKS

This receipt was generated by the automated BLM Collections and Billing System and is a paper representation of a portion of the official electronic record contained therein.

3585 7 5 W-

# **CORRESPONDENCE**

# **TRANSFERS**

**MAINTENANCE FEES**  
**WAIVERS**  
**POL/NOI**

# **MISCELLANEOUS**

**LOCATION NOTICES  
AMENDMENTS  
STATUS SHEET  
GEO REPORT/MTP**



# MINING CLAIM STATUS REPORT - Assessment Year 2020

Data Entered: 1/29/2020

MTP Checked By: 1/27/2020  
GEO Checked By: 1/27/2020

LEAD SERIAL NUMBER: AMC 458901 thru AMC 458908

**NUMBER OF CLAIMS & TYPE:**

8 LODE  
\_\_\_\_ PLACER  
\_\_\_\_ ASSOCIATION PLACER  
\_\_\_\_ MILL SITE  
\_\_\_\_ TUNNEL SITE

**CHARGES:**

Processing Fee @ \$20 = \$ 160  
Location Fee @ \$40 = \$ 320  
Maintenance Fee @ \$165 = \$ 1,320  
Add'l Maint Fee for Assoc Placer = \$ \_\_\_\_\_  
**SUBTOTAL** \$ \_\_\_\_\_  
Other Fees \$ \_\_\_\_\_  
Other Fees \$ \_\_\_\_\_  
**TOTAL** \$ 1,800

TOTAL ACREAGE: \_\_\_\_\_ Per Claim  
(Placer Only)

NUMBER OF LOCATORS: \_\_\_\_\_

DOCUMENTS RECEIVED VIA: Over-the-Counter [ ] Mail [  ] **TIMELY FILED:** Yes [  ] No [ ]

LEGAL DESCRIPTION: T 20W R 3N SEC 14,15  
T 3N? R 20W? SEC \_\_\_\_\_  
T \_\_\_\_\_ R \_\_\_\_\_ SEC \_\_\_\_\_  
T \_\_\_\_\_ R \_\_\_\_\_ SEC \_\_\_\_\_  
T \_\_\_\_\_ R \_\_\_\_\_ SEC \_\_\_\_\_

BLM [ ] FOREST SERVICE [ ] \_\_\_\_\_ SUBJ TO PL 359: Yes [ ] No [ ]  
WILDERNESS AREA [ ] \_\_\_\_\_

SPLIT ESTATE: N/A [ ] SX [ ] PX [ ] OTHER [ ] \_\_\_\_\_  
SRHA [ ] Was proper Notice filed if located on SHRA Land? Yes [ ] No [ ]

**RECONVEYED MINERALS ON BLM LAND REQUIRE OPENING ORDER FROM 1944 TO 1993:**

Open to Entry On \_\_\_\_\_ N/A [ ]

COMMENTS/STATUS: VOID [ ] PARTIALLY VOID [ ] PVT MINERALS [ ] WITHDRAWN LANDS [ ]  
OTHER [ ] \_\_\_\_\_

[ ] Claimant acknowledges that portions of the following claim(s) site(s) may be void or voidable.

Printed Name of Claimant \_\_\_\_\_ Signature of Claimant \_\_\_\_\_

\*\*\*\*\*FINAL ADJUDICATION\*\*\*\*\*

DATE \_\_\_\_\_ INITIALS \_\_\_\_\_

AMC458901

LOCATION NOTICE FOR LODE MINING CLAIM

Amendment BLM Serial # AmC 3399 58

NOTICE IS HEREBY GIVEN that the Beehive # 7

lode mining claim has been located

by Bruce Cornwell whose current mailing

address is 78-1095 Bishop Rd

Holualoa, Hawaii 96725

RECEIVED  
BLM AZ STATE OFFICE  
2020 JAN 21 P 3 17  
PHOENIX, ARIZONA  
BLM  
Date  
Stamp

The general course of this claim is \_\_\_\_\_ and it is situated in \_\_\_\_\_

County, Arizona. This claim is 1500 feet in length and 600 feet in width.

20 Total Claim Acreage. This claim runs from the location monument on which this location notice is posted on the centerline of the claim approximately 300 feet in a East direction to the east end line and 300 feet in a west direction to the west end line. This claim is marked by six monuments, one at each corner and one at the center of each end line of the claim.

The location monument on which this notice is posted is situated within Section 15, Township 20 W, Range 3 N, Gila Salt River Base and Meridian, Arizona and this claim encompasses portions of the following quarter section(s), section(s), Township(s) and Range(s) \_\_\_\_\_

Gila Salt River Base and Meridian, Arizona.

The locality of this claim with reference to some natural object or permanent monument and additional information (if any) concerning its locality are as follows: Approximate 1400' Northwaly direction to a survey monument described as south center survey marker of Sect 15

T 3N R 20-W The above information is shown on the attached map.

DATED AND POSTED on the ground this 7<sup>th</sup> day of, JAN, 2020.

LOCATOR(s)  AGENT

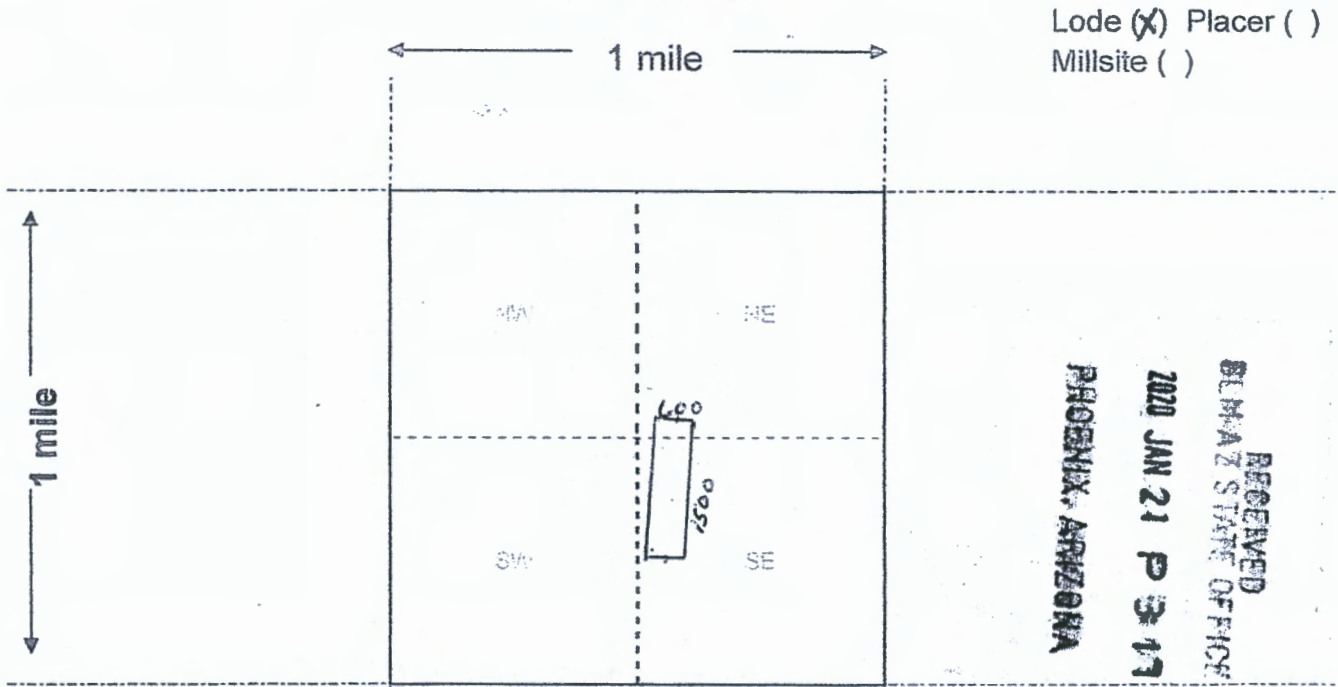
Print Name(s) Bruce H. Cornwell

Signature(s) [Handwritten Signature]

Form MCF100  
Revised July 2014

AR 0458901

**MINING CLAIM MAP**



Scale: 1" = 2000 feet



- The above map depicts the Beehive # 7 mining claim, which is located in Section (s) 15, Township 20 W, Range 3 N, Gila and Salt River Base and Meridian, La Paz County, Arizona. Total claim acreage is 20
- The type of corner and location monuments used are as follows: 2" PVC Pipe with caps  
stone monument
- The bearings and distances in degrees and feet between claim corners and to a public land survey monument are as depicted on the map.
- If the claim is a placer or millsite claim with exterior limits conforming to legal subdivisions of the public survey, provide a legal description of the claim \_\_\_\_\_

ANCI 58901

Form MCF100a  
Revised July 2014

LOCATION NOTICE FOR LODE MINING CLAIM

Amendment BLM Serial # AML 339959

NOTICE IS HEREBY GIVEN that the Beehive # 9

lode mining claim has been located

by Bruce Cornwell whose current mailing

address is 78-1095 Bishop Rd

Holualoa, Hawaii 96725

RECEIVED  
BLM AZ STATE OFFICE  
2020 JAN 21 P 3:17  
PHOENIX, ARIZONA  
BLM  
Date  
Stamp

The general course of this claim is east to west and it is situated in La Paz

County, Arizona. This claim is 1500 feet in length and 600 feet in width.

20 Total Claim Acreage. This claim runs from the location monument on which this location notice is posted on the centerline of the claim approximately 750 feet in a east direction to the east end line and 750 feet in a west direction to the west end line. This claim is marked by six monuments, one at each corner and one at the center of each end line of the claim.

The location monument on which this notice is posted is situated within Section 15, Township 20 west, Range 3 north, Gila Salt River Base and Meridian, Arizona and this claim encompasses portions of the following quarter section(s), section(s), Township(s) and Range(s) \_\_\_\_\_

Gila Salt River Base and Meridian, Arizona.

The locality of this claim with reference to some natural object or permanent monument and additional information (if any) concerning its locality are as follows: SW CORNER IS 2900' Northerly Direction From SURVEY MONUMENT OF SEC 15 T3N R20 West

\_\_\_\_\_ The above information is shown on the attached map.

DATED AND POSTED on the ground this 7<sup>th</sup> day of January, 2020

LOCATOR(s)  AGENT

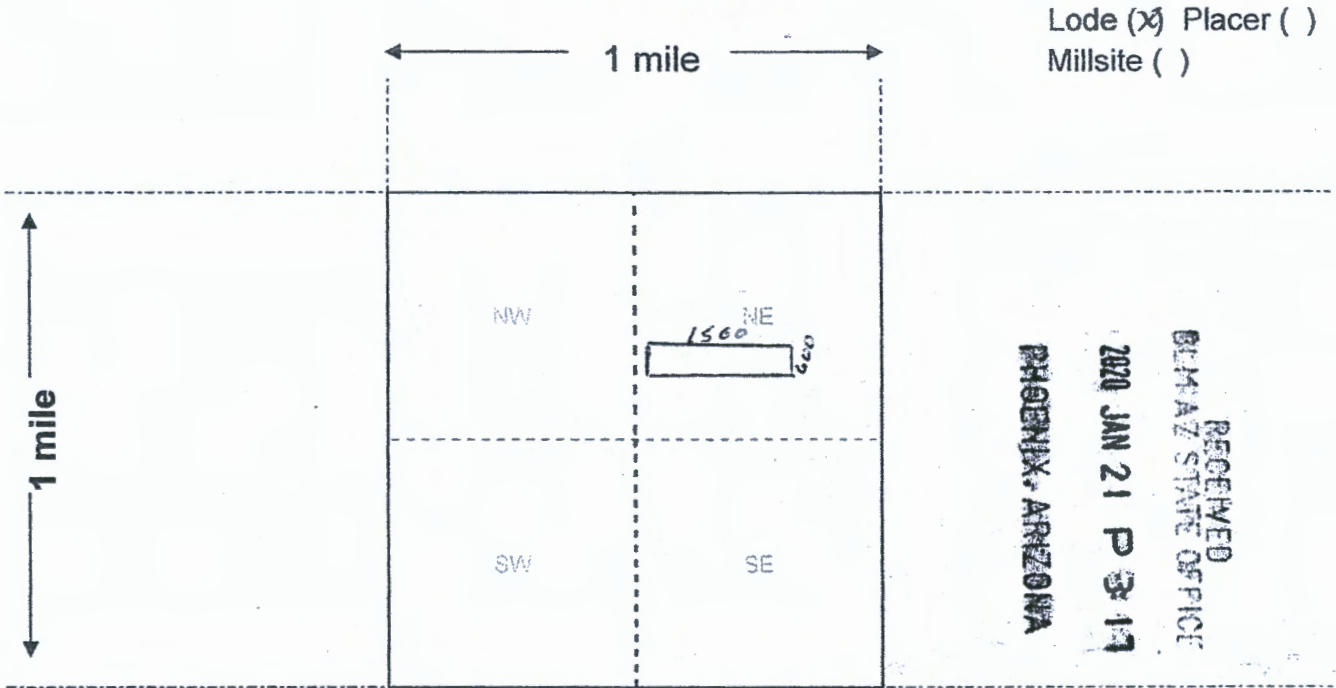
Print Name(s) BRUCE H. CORNWELL

Signature(s) [Handwritten Signature]

Form MCF100  
Revised July 2014

AMC458902

**MINING CLAIM MAP**



Scale: 1" = 2000 feet



1. The above map depicts the Beehive # 9 mining claim, which is located in Section (s) 15, Township 20 west, Range 3 North, Gila and Salt River Base and Meridian, La Paz County, Arizona. Total claim acreage is 20
2. The type of corner and location monuments used are as follows: 1 1/2" PVC Pipe with caps  
stone monument
3. The bearings and distances in degrees and feet between claim corners and to a public land survey monument are as depicted on the map.
4. If the claim is a placer or millsite claim with exterior limits conforming to legal subdivisions of the public survey, provide a legal description of the claim \_\_\_\_\_

AN0458902

LOCATION NOTICE FOR LODE MINING CLAIM

Amendment BLM Serial # Amc 283918

NOTICE IS HEREBY GIVEN that the Beehive # 10  
lode mining claim has been located  
by Bruce Cornwell whose current mailing  
address is 78-1095 Bishop Rd  
Holualoa, Hawaii, 96725

BLM  
Date  
Stamp  
RECEIVED  
BENTON STATE OFFICE  
2020 JAN 21 P 3 19  
PHOENIX, ARIZONA

The general course of this claim is east to west and it is situated in La Paz  
County, Arizona. This claim is 1500 feet in length and 600 feet in width.

20 Total Claim Acreage. This claim runs from the location monument on which this location notice  
is posted on the centerline of the claim approximately 750 feet in a east direction to the east  
end line and 750 feet in a west direction to the west end line. This claim is marked by six  
monuments, one at each corner and one at the center of each end line of the claim.

The location monument on which this notice is posted is situated within Section 15, Township 20  
west, Range 3 N, Gila Salt River Base and Meridian, Arizona and this claim encompasses portions  
of the following quarter section(s), section(s), Township(s) and Range(s) \_\_\_\_\_

Gila Salt River Base and Meridian, Arizona.

The locality of this claim with reference to some natural object or permanent monument and additional information  
(if any) concerning its locality are as follows: NE CORNER 15 1361' South from  
Survey monument described as NE CORNER of Sect 15 T-3-N R-20W  
U.S. Geodetic monument. The above information is shown on the attached map.

DATED AND POSTED on the ground this 7<sup>th</sup> day of January 2020

LOCATOR(s)  AGENT

Print Name(s) BRUCE H. CORNWELL

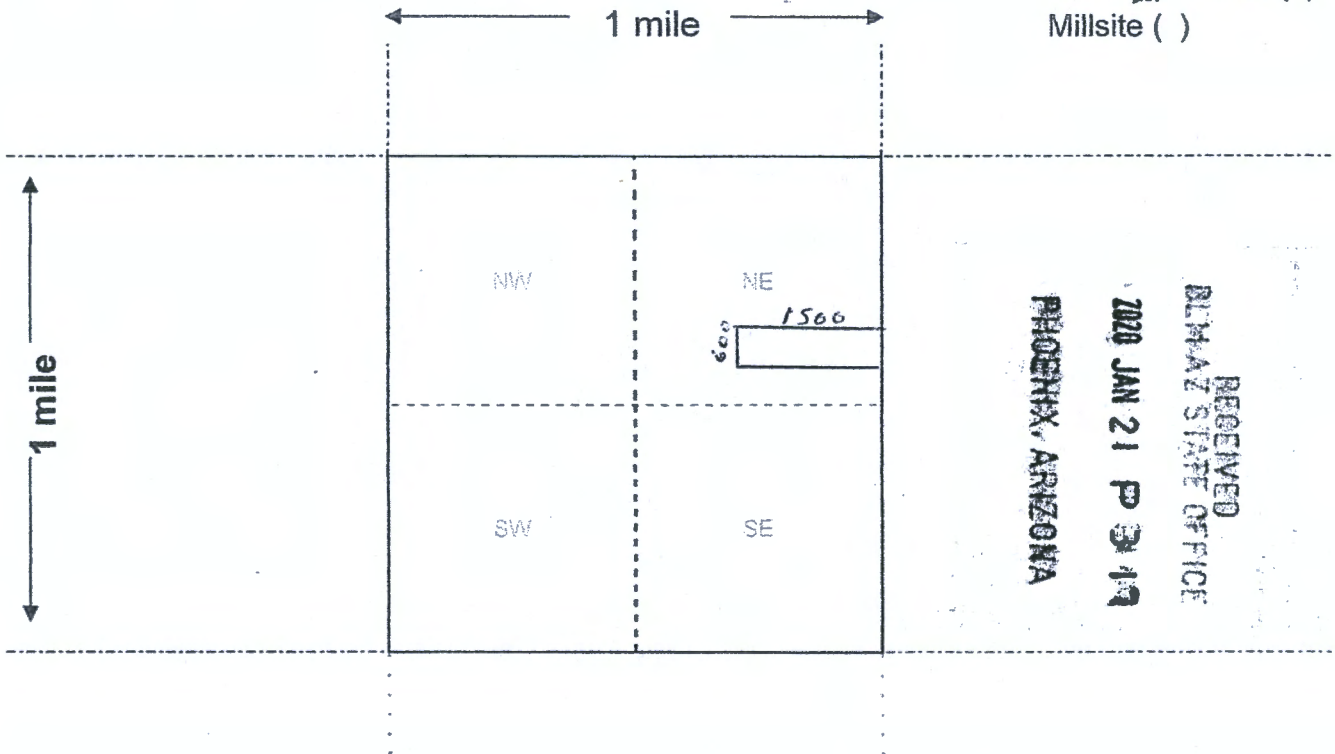
Signature(s) [Handwritten Signature]

Form MCF100  
Revised July 2014

AMC458903

**MINING CLAIM MAP**

Lode () Placer ( )  
Millsite ( )



RECEIVED  
BLM AZ STATE OFFICE  
2009 JAN 21 P 3 19  
PHOENIX, ARIZONA

Scale: 1" = 2000 feet



AMC 458903

1. The above map depicts the Beehive # 10 mining claim, which is located in Section (s) 15, Township 20 West, Range 3 N, Gila and Salt River Base and Meridian, La Paz County, Arizona. Total claim acreage is 20
2. The type of corner and location monuments used are as follows: 1 1/2" PVC Pipe with caps  
stone monument
3. The bearings and distances in degrees and feet between claim corners and to a public land survey monument are as depicted on the map.
4. If the claim is a placer or millsite claim with exterior limits conforming to legal subdivisions of the public survey, provide a legal description of the claim \_\_\_\_\_

Form MCF100a  
Revised July 2014

LOCATION NOTICE FOR LODE MINING CLAIM

Amendment BLM Serial # AMC 292067

NOTICE IS HEREBY GIVEN that the Beehive # 12  
\_\_\_\_\_ lode mining claim has been located

by Bruce Cornwell whose current mailing  
address is 78-1095 Bishop Rd  
Holualoa, Hawaii 96725

RECEIVED  
BLM STATE OFFICE  
PHOENIX, ARIZONA  
2020 JAN 21 P 3 18  
BLM  
Date  
Stamp

The general course of this claim is east to west and it is situated in La Paz  
County, Arizona. This claim is ~~east to west~~<sup>1500</sup> feet in length and 600 feet in width.

20 Total Claim Acreage. This claim runs from the location monument on which this location notice  
is posted on the centerline of the claim approximately 750 feet in a east direction to the east  
end line and 750 feet in a west direction to the west end line. This claim is marked by six  
monuments, one at each corner and one at the center of each end line of the claim.

The location monument on which this notice is posted is situated within Section 14, Township 3  
North, Range 20 west, Gila Salt River Base and Meridian, Arizona and this claim encompasses portions  
of the following quarter section(s), section(s), Township(s) and Range(s) \_\_\_\_\_

Gila Salt River Base and Meridian, Arizona.

The locality of this claim with reference to some natural object or permanent monument and additional information  
(if any) concerning its locality are as follows: SW CORNER of claim is 1320' N of  
U.S. Geo Survey monument (Bress cap)

\_\_\_\_\_ The above information is shown on the attached map.

DATED AND POSTED on the ground this 7<sup>th</sup> day of January, 2020.

LOCATOR(s)  AGENT

Print Name(s) BRUCE H. CORNWELL

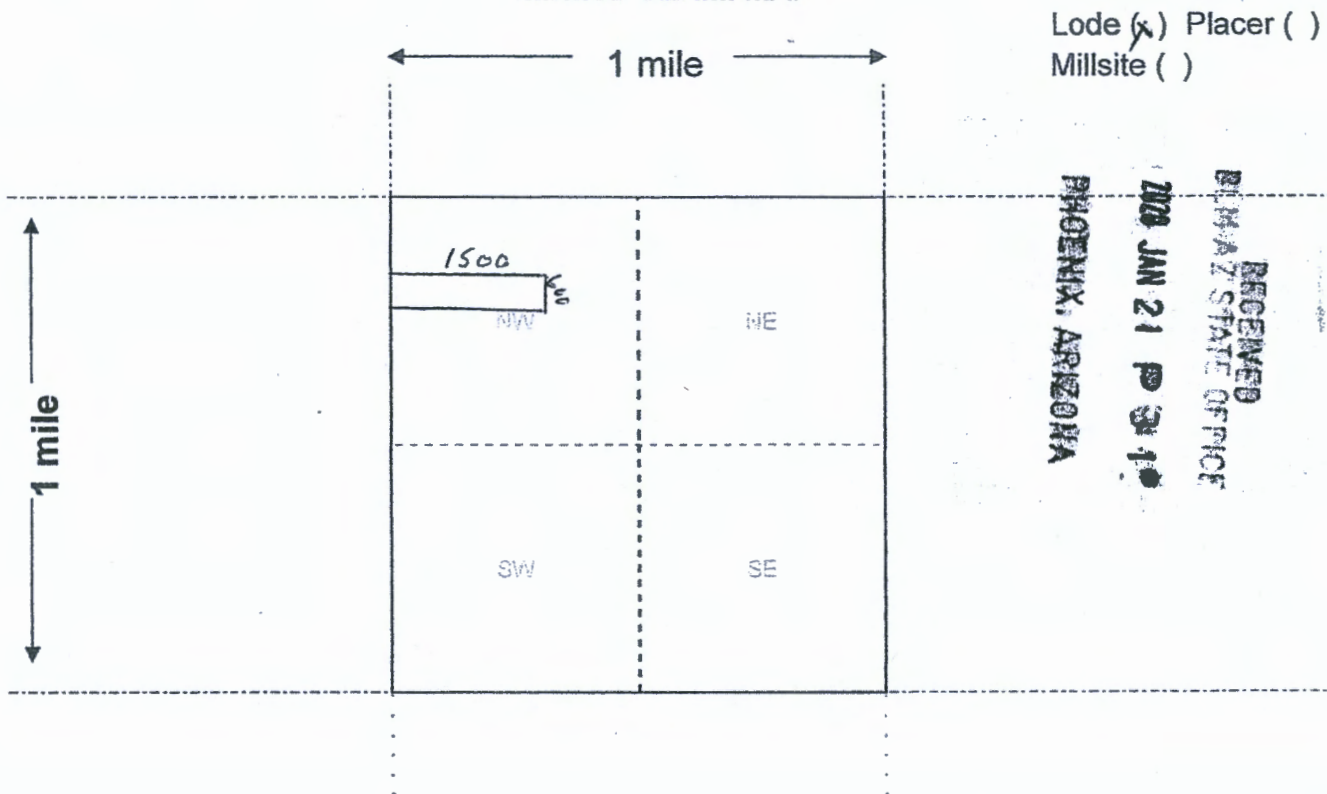
Signature(s) [Handwritten Signature]

Form MCF100  
Revised July 2014

AMC458904



MINING CLAIM MAP



Lode (x) Placer ( )  
Millsite ( )

RECEIVED  
BIMAZ STATE OFFICE  
2008 JAN 21 P 3:10  
PHOENIX, ARIZONA

AMC458904

- The above map depicts the Beehive # 12 mining claim, which is located in Section (s) 14, Township 3 North, Range 20 West, Gila and Salt River Base and Meridian, La Paz County, Arizona. Total claim acreage is 20
- The type of corner and location monuments used are as follows: 1 1/2" PVC Pipe with caps  
stone monument.
- The bearings and distances in degrees and feet between claim corners and to a public land survey monument are as depicted on the map.
- If the claim is a placer or millsite claim with exterior limits conforming to legal subdivisions of the public survey, provide a legal description of the claim \_\_\_\_\_

LOCATION NOTICE FOR LODE MINING CLAIM

Amendment BLM Serial # AML 292068

NOTICE IS HEREBY GIVEN that the Beehive # 13  
\_\_\_\_\_ lode mining claim has been located  
by Bruce Cornwell whose current mailing  
address is 78-1095 Bishop Rd  
Holualoa Hawaii 96725

BLM  
Date  
Stamp  
**RECEIVED**  
BUNAZ STATE OFFICE  
2020 JAN 21 P 3:14  
PHOENIX, ARIZONA

The general course of this claim is east to west and it is situated in \_\_\_\_\_  
County, Arizona. This claim is 1500 feet in length and 600 feet in width.

20 Total Claim Acreage. This claim runs from the location monument on which this location notice  
is posted on the centerline of the claim approximately 750 feet in a east direction to the east  
end line and 750 feet in a west direction to the west end line. This claim is marked by six  
monuments, one at each corner and one at the center of each end line of the claim.

The location monument on which this notice is posted is situated within Section 15, Township 3  
North, Range 20 west, Gila Salt River Base and Meridian, Arizona and this claim encompasses portions  
of the following quarter section(s), section(s), Township(s) and Range(s) \_\_\_\_\_

Gila Salt River Base and Meridian, Arizona.

The locality of this claim with reference to some natural object or permanent monument and additional information  
(if any) concerning its locality are as follows: SE CORNER of claim is 2820' North to  
Survey monument (Bloss cap) of U.S. Geo Survey of Sect 15 T-3N  
Range 20-West \_\_\_\_\_ The above information is shown on the attached map.

DATED AND POSTED on the ground this 27<sup>th</sup> day of January, 2020

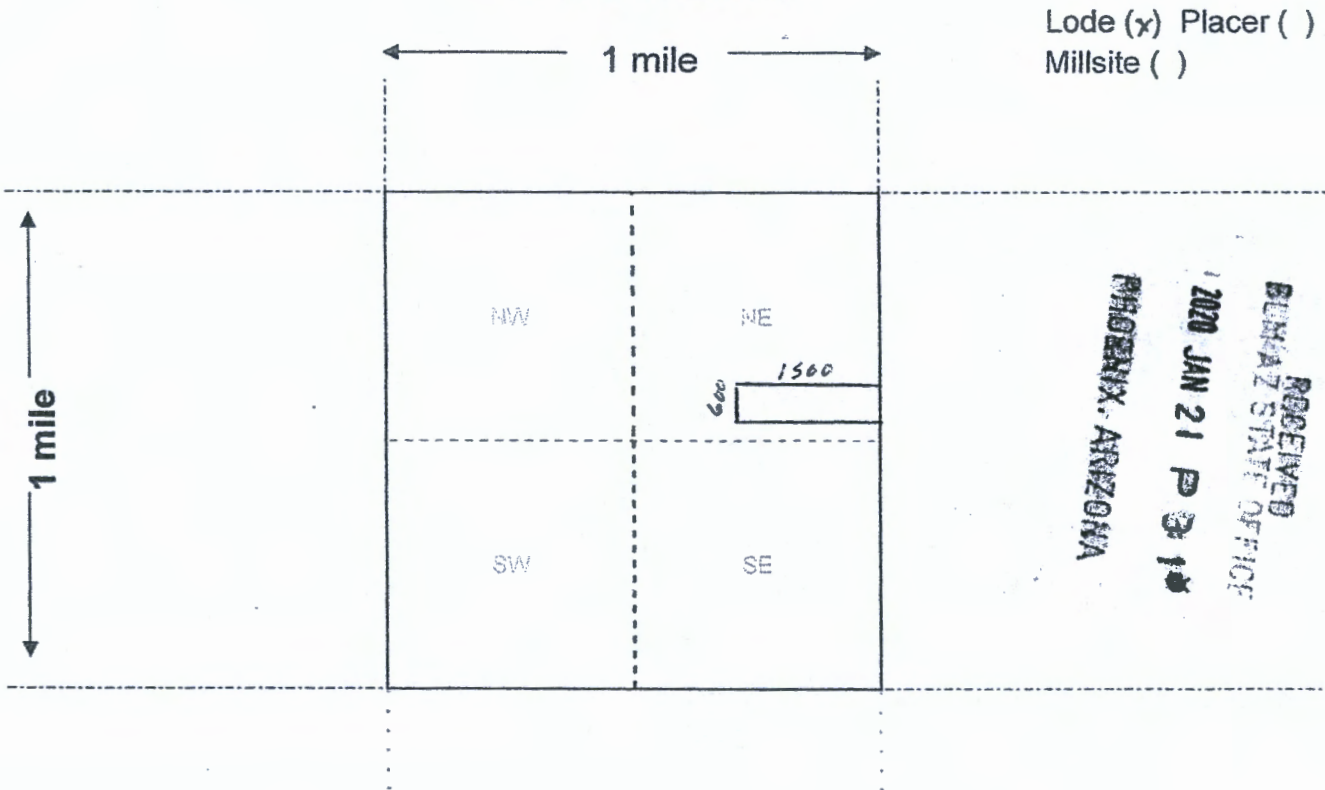
LOCATOR(s)  AGENT

Print Name(s) BRUCE H. CORNWELL  
Signature(s) [Handwritten Signature]

Form MCF100  
Revised July 2014

AMC458905

**MINING CLAIM MAP**



Lode (x) Placer ( )  
Millsite ( )

RECEIVED  
BUREAU OF LAND MANAGEMENT  
2020 JAN 21 P 3 10  
PHOENIX, ARIZONA

Scale: 1" = 2000 feet



- The above map depicts the Beehive # 13 mining claim, which is located in Section (s) 15, Township 3 north, Range 20 west, Gila and Salt River Base and Meridian, La Paz County, Arizona. Total claim acreage is 20
- The type of corner and location monuments used are as follows: 1 1/2" PVC Pipe with caps  
stone monument
- The bearings and distances in degrees and feet between claim corners and to a public land survey monument are as depicted on the map.
- If the claim is a placer or millsite claim with exterior limits conforming to legal subdivisions of the public survey, provide a legal description of the claim \_\_\_\_\_

AMC458905

Form MCF100a  
Revised July 2014

14

LOCATION NOTICE FOR LODE MINING CLAIM

Amendment BLM Serial # AMC 292069

NOTICE IS HEREBY GIVEN that the Beehive # 14

lode mining claim has been located

by Bruce Cornwell whose current mailing

address is 78-1095 Bishop Rd

Holualoa, Hawaii 96725

The general course of this claim is east to west and it is situated in La Paz

County, Arizona. This claim is 1500 feet in length and 600 feet in width.

20 Total Claim Acreage. This claim runs from the location monument on which this location notice

is posted on the centerline of the claim approximately 750 feet in a east direction to the east

end line and 750 feet in a west direction to the west end line. This claim is marked by six

monuments, one at each corner and one at the center of each end line of the claim.

The location monument on which this notice is posted is situated within Section 15, Township 20

W, Range 3 N, Gila Salt River Base and Meridian, Arizona and this claim encompasses portions

of the following quarter section(s), section(s), Township(s) and Range(s) \_\_\_\_\_

Gila Salt River Base and Meridian, Arizona.

The locality of this claim with reference to some natural object or permanent monument and additional information

(if any) concerning its locality are as follows: NE CORNER 15 660' South of Survey

MONUMENT DESCRIBED AS NE CORNER OF SECT 15 T-3-N Range 20-W

\_\_\_\_\_ The above information is shown on the attached map.  
DATED AND POSTED on the ground this 7<sup>th</sup> day of January, 2020.

LOCATOR(s)  AGENT

Print Name(s) \_\_\_\_\_

BRUCE A. CORNWELL

Signature(s) \_\_\_\_\_

[Handwritten Signature]

Form MCF100  
Revised July 2014

This form is available from the Arizona Geological Survey and may be reproduced.

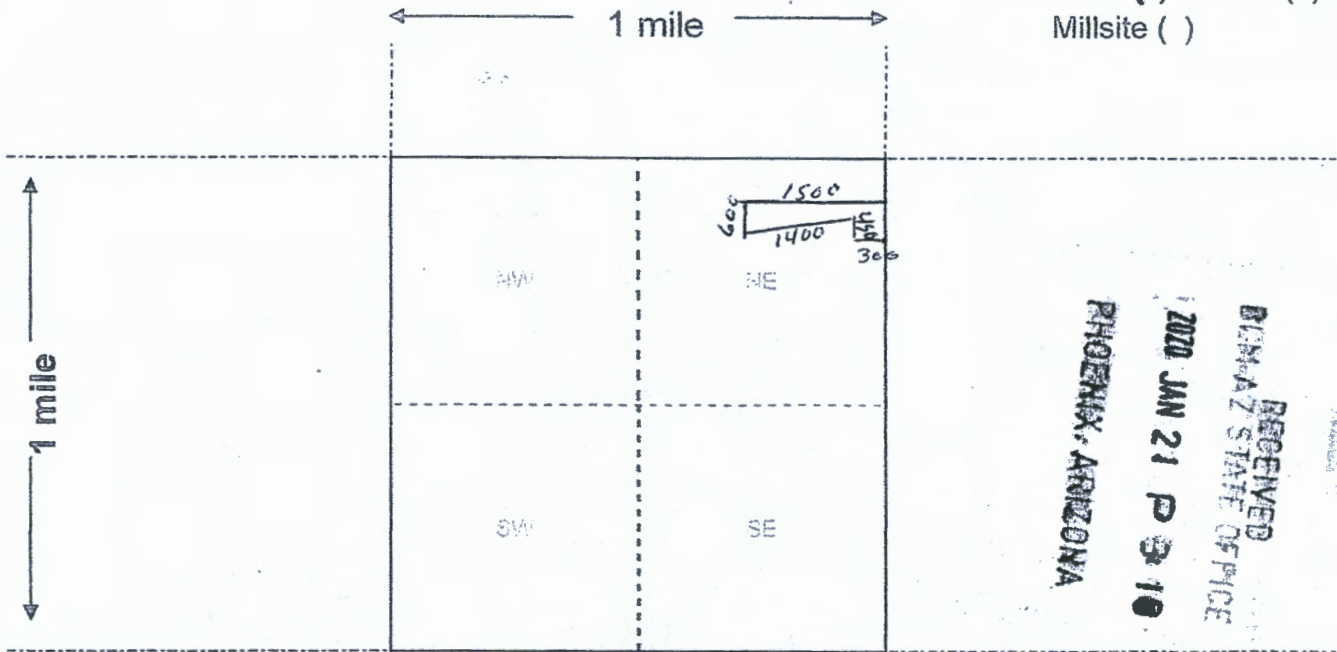
BLM  
Date  
Stamp

RECEIVED  
BLM AZ STATE OFFICE  
2020 JAN 21 P 3:18  
PHOENIX, ARIZONA

AMC458906

**MINING CLAIM MAP**

Lode (X) Placer ( )  
Millsite ( )



Scale: 1" = 2000 feet



- The above map depicts the Beehive 14 mining claim, which is located in Section (s) 15, Township 20 West, Range 3 N, Gila and Salt River Base and Meridian, La Paz County, Arizona. Total claim acreage is 20
- The type of corner and location monuments used are as follows: 1 1/2" PVC pipe with caps stone monument.
- The bearings and distances in degrees and feet between claim corners and to a public land survey monument are as depicted on the map.
- If the claim is a placer or millsite claim with exterior limits conforming to legal subdivisions of the public survey, provide a legal description of the claim \_\_\_\_\_

Form MCF100a  
Revised July 2014

This form is available from the Arizona Geology Survey and may be reproduced.

AHC458906

LOCATION NOTICE FOR LODE MINING CLAIM

Amendment BLM Serial # AMC 294586

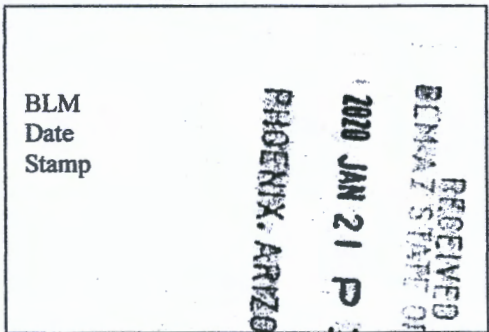
NOTICE IS HEREBY GIVEN that the Beehive # 20

\_\_\_\_\_ lode mining claim has been located

by Bruce Cornwell whose current mailing

address is 78-1095 Bishop Rd.

Holualoa, Hawaii 96725



The general course of this claim is South to North and it is situated in La Paz

County, Arizona. This claim is 1566 feet in length and 309 <sup>(southern see map)</sup> feet in width.

20 Total Claim Acreage. This claim runs from the location monument on which this location notice is posted on the centerline of the claim approximately 200 feet in a N direction to the \_\_\_\_\_ end line and 150' feet in a South direction to the South end line. This claim is marked by six monuments, one at each corner and one at the center of each end line of the claim.

The location monument on which this notice is posted is situated within Section 15, Township 3-N, Range 20 W, Gila Salt River Base and Meridian, Arizona and this claim encompasses portions of the following quarter section(s), section(s), Township(s) and Range(s) \_\_\_\_\_

Gila Salt River Base and Meridian, Arizona.

The locality of this claim with reference to some natural object or permanent monument and additional information (if any) concerning its locality are as follows: SW corner of the claim is 1856' NE to a survey monument 1/4 corner USGS Brass cap Between Sect. 15 & Sect. 22 of T3N-Range 20W The above information is shown on the attached map.

DATED AND POSTED on the ground this 7<sup>th</sup> day of January, 2020

LOCATOR(s)  AGENT

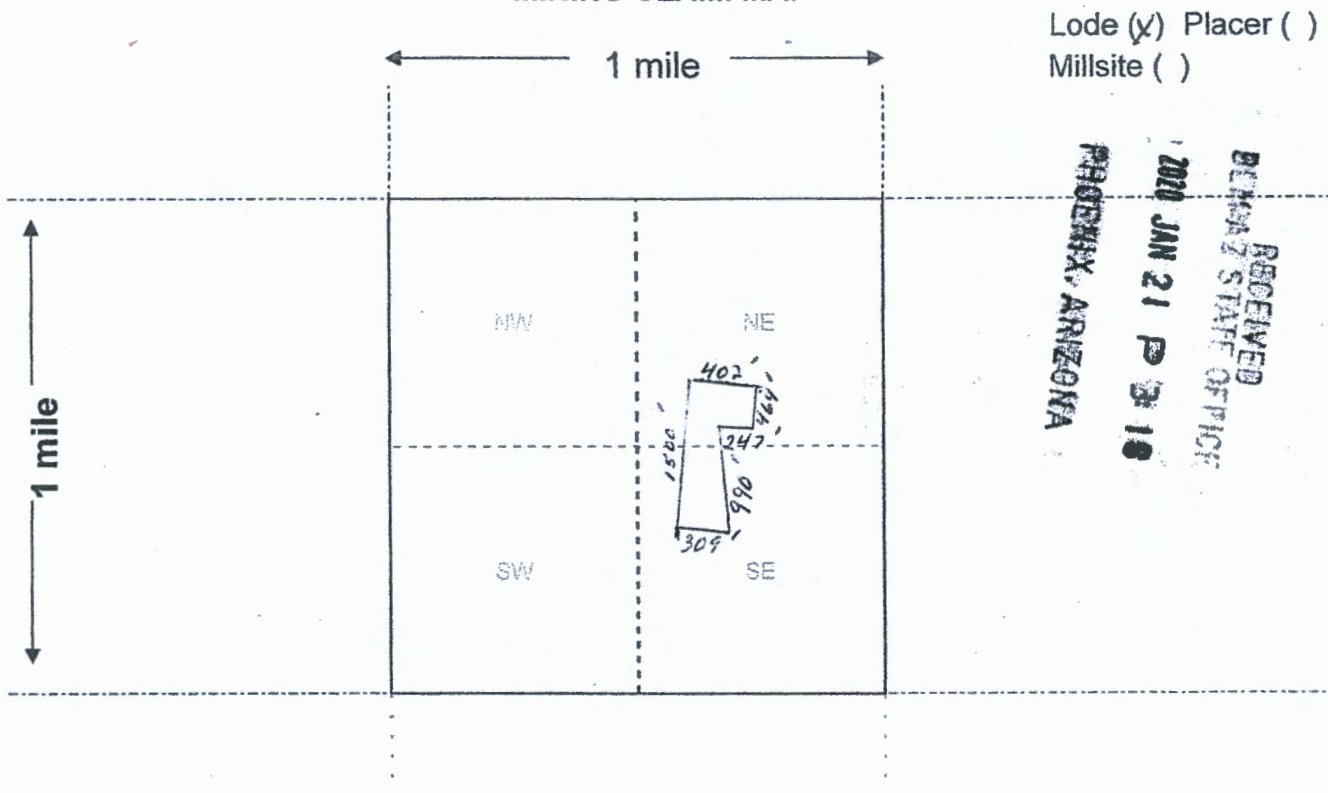
Print Name(s) Bruce H. Cornwell

Signature(s) [Handwritten Signature]

Form MCF100 Revised July 2014

AMC458907

**MINING CLAIM MAP**



Lode (x) Placer ( )  
Millsite ( )

RECEIVED  
DEPUTY STATE OFFICER  
2010 JAN 21 P 3:10  
PHOENIX, ARIZONA

AMC458907

Scale: 1" = 2000 feet



- The above map depicts the Beehive #20 mining claim, which is located in Section (s) 15, Township B-W, Range 20 W, Gila and Salt River Base and Meridian, La Paz County, Arizona. Total claim acreage is 20
- The type of corner and location monuments used are as follows: 1 1/2" PVC Pipe with caps  
stone monument
- The bearings and distances in degrees and feet between claim corners and to a public land survey monument are as depicted on the map.
- If the claim is a placer or millsite claim with exterior limits conforming to legal subdivisions of the public survey, provide a legal description of the claim \_\_\_\_\_

LOCATION NOTICE FOR LODE MINING CLAIM

Amendment BLM Serial # Amc 294589

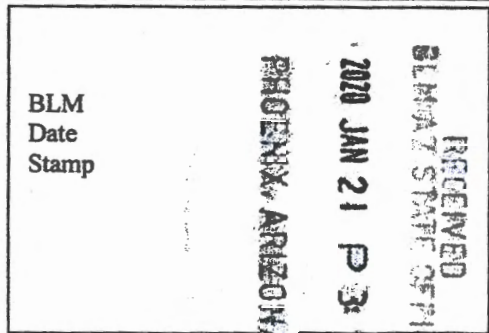
NOTICE IS HEREBY GIVEN that the Beehive # 23

\_\_\_\_\_ lode mining claim has been located

by Bruce Cornwell whose current mailing

address is 78-1095 Bishop Rd

Holualoa Hawaii 96725



The general course of this claim is east to west and it is situated in La Paz

County, Arizona. This claim is 1500 feet in length and 600 feet in width.

20 Total Claim Acreage. This claim runs from the location monument on which this location notice is posted on the centerline of the claim approximately 750 feet in a east direction to the east end line and 750 feet in a west direction to the west end line. This claim is marked by six monuments, one at each corner and one at the center of each end line of the claim.

The location monument on which this notice is posted is situated within Section 14, Township 3 North, Range 20 west, Gila Salt River Base and Meridian, Arizona and this claim encompasses portions of the following quarter section(s), section(s), Township(s) and Range(s) \_\_\_\_\_

Gila Salt River Base and Meridian, Arizona.

The locality of this claim with reference to some natural object or permanent monument and additional information (if any) concerning its locality are as follows: NW CORNER IS 1500' east and 120' south of survey monument described as NW corner of sect 14 Township 3-N

Range 20-West The above information is shown on the attached map.

DATED AND POSTED on the ground this 7<sup>th</sup> day of January, 2020.

LOCATOR(s)  AGENT

Print Name(s) BRUCE H. CORNWELL

Signature(s) [Handwritten Signature]

Form MCF100 Revised July 2014

This form is available from the Arizona Geological Survey and may be reproduced.

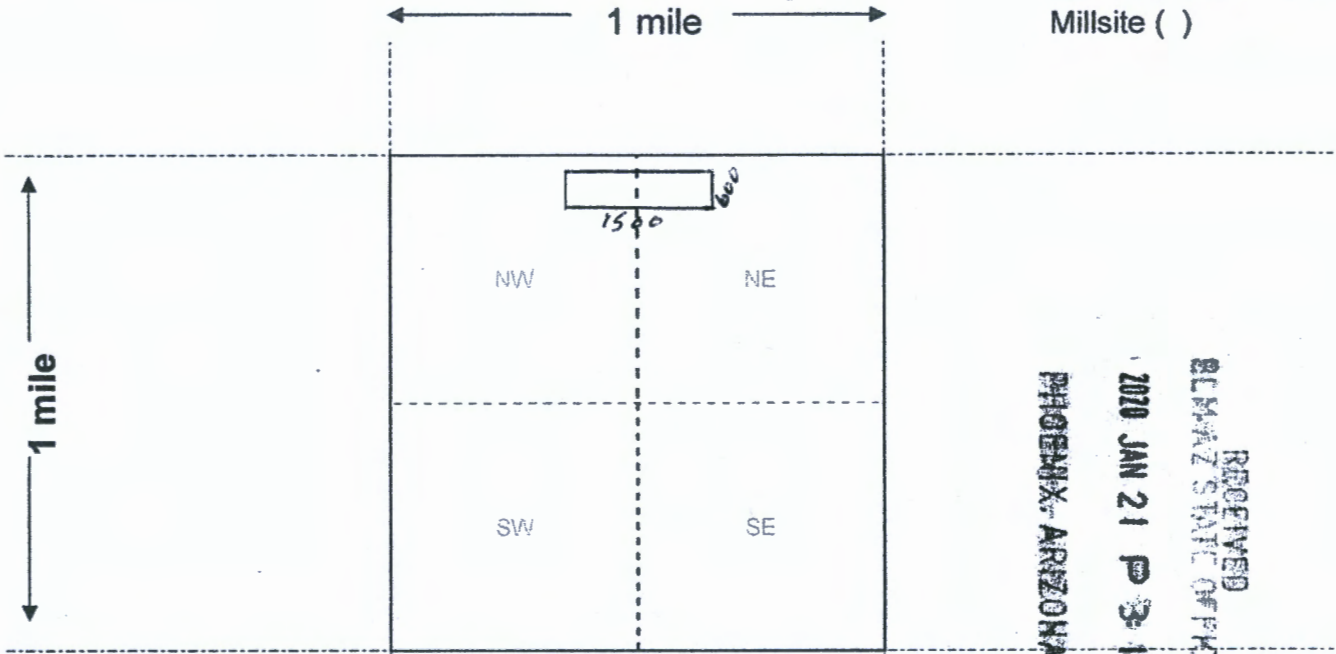
AMC458908



23

### MINING CLAIM MAP

Lode ( ) Placer ( )  
Millsite ( )



RECEIVED  
 CLIMATE STATE OFFICE  
 2010 JAN 21 P 3:10  
 PHOENIX, ARIZONA

Scale: 1" = 2000 feet



- The above map depicts the Beehive 13 mining claim, which is located in Section (s) 14, Township 3 north, Range 20 west, Gila and Salt River Base and Meridian, La Paz County, Arizona. Total claim acreage is 20
- The type of corner and location monuments used are as follows: 1 1/2" PVC Pipe with cap stone monument.
- The bearings and distances in degrees and feet between claim corners and to a public land survey monument are as depicted on the map.
- If the claim is a placer or millsite claim with exterior limits conforming to legal subdivisions of the public survey, provide a legal description of the claim \_\_\_\_\_

AMC458908

Form MCF100a  
Revised July 2014

Date and Time Run:  
1/27/2020 11:09:04 AM

DEPARTMENT OF THE INTERIOR  
BUREAU OF LAND MANAGEMENT  
Case Recordation

Page 1 of 1

**Geographic Report with Land**

Disposition is equal to **AUTHORIZED , CANCELLED , EXPIRED , PENDING , REJECTED , RELINQUISHED ,  
WITHDRAWN**  
and Meridian Township Range Section is equal to **14 0030N 0200W 014 , 14 0030N 0200W 015**  
and Admin State is equal to **AZ**

NO WARRANTY IS MADE BY BLM  
FOR USE OF THE DATA FOR  
PURPOSES NOT INTENDED BY BLM

DEPARTMENT OF THE INTERIOR  
BUREAU OF LAND MANAGEMENT  
Case Recordation  
Geographic Report with Land

Admin State: AZ  
Geo State: AZ

Serial Number	Total Case Acres:	Case type	Case Disp	Mer	Twp	Rng	Sec	Sur Type	Sur Nr	Suf	Subdivision	Act Pend
AZA 033508	1.000	380913	AUTHORIZED	14	0030N	0200W	014	ALIQ			NWNWNWNWNW;	
AZA 034553	10.000	292006	PENDING					ALIQ			SE;	Y
	10.000											
AZA 03571401	1.000	281001	AUTHORIZED					FF			E2SW (WITHIN);	Y
	1.000										NE (WITHIN);	Y
	1.000										S2SE (WITHIN);	Y
	1.000										SE (WITHIN);	Y
	1.000										SE (WITHIN);	Y
	1.000										SE (WITHIN);	Y
	1.000										SE (WITHIN);	Y
	1.000										SE (WITHIN);	Y
AZA 035750	5.000	380913	AUTHORIZED					ALIQ			SW,SE;	
AZA 036560	0.500	380913	EXPIRED					ALIQ			SW;	
AZA 037075	3.000	380913	AUTHORIZED					ALIQ			NW;	
AZA 037508	4.990	380913	AUTHORIZED					ALIQ			NW;	
AZA 037940	4.990	380913	PENDING					ALIQ			SW,SE;	
AZA 037986	0.500	380913	PENDING					ALIQ			SW;	
AZA 037988	5.000	380913	PENDING					ALIQ			SW,SE;	

Serial Number	Total Case Acres:	Case type	Case Disp	Mer	Twp	Rng	Sec	Sur Type	Sur Nr	Suf	Subdivision	Act Pend
AZA 032698	5.000	292803	PENDING	14	0030N	0200W	015	ALIQ			E2SE,SWSE;	Y
	5.000											
	5.000							LOTS			7;	Y
	5.000											
AZA 035661	2.000	380913	AUTHORIZED					ALIQ			NE;	

# UNSURVEYED TOWNSHIP 3 NORTH RANGE 20 EAST OF THE GILA AND SALT RIVER MERIDIAN, ARIZONA

GILA COUNTY

STATUS OF PUBLIC DOMAIN  
LAND AND MINERAL TITLES

6 (629 a)	5 (640 a)	4 (640 a)	3 (640 a)	2 (640 a)	1 (640 a)
7 (627 a)	8 (640 a)	9 (640 a)	10 (640 a)	11 (640 a)	12 (640 a)
18 (630 a)	17 (640 a)	16 (640 a)	15 (640 a)	14 (640 a)	13 (640 a)
19 (631 a)	20 (640 a)	21 (640 a)	22 (640 a)	23 (640 a)	24 (640 a)
30 (631 a)	29 (640 a)	28 (640 a)	27 (640 a)	26 (640 a)	25 (640 a)
31 (632 a)	32 (640 a)	33 (640 a)	34 (640 a)	35 (640 a)	36 (640 a)

INDEX TO DEGRADED TRACTS				
RESURVEY	ORIGINAL SURVEY			
	TRACT NO	T	R	SUBDIVISION

FOR ORDERS EFFECTING DISPOSAL OR USE OF  
UNIDENTIFIED LANDS WITHDRAWN FOR CLASSIFICATION,  
MINERALS, WATER AND/OR OTHER PUBLIC PURPOSES,  
REFER TO INDEX OF MISCELLANEOUS DOCUMENTS.

PROTRACTION DIAGRAM NOS

DIST. NO. 2

All Tr. included in W.P. White Mts. Apache Ind. Res.  
EO 11/9/1871

CURRENT TO	BY

SCALE  
0 10 20 30  
30 chains to the inch

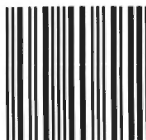
WARNING STATEMENT  
This plot is the Bureau's Record of Title, and should be used  
only as a graphic display of the township survey data. Rec-  
ords herein do not reflect title changes which may have been  
affected by lateral movements of rivers or other bodies of water.  
Refer to the cadastral surveys for official survey information.

T. S. H.  
R. S. E.

le Cornwell  
Box 2276  
Quartzsite, AZ  
85346



1000



85004

U.S. POSTAGE PAID  
FCM LG ENV  
QUARTZSITE, AZ  
85346  
JAN 16, 20  
AMOUNT

**\$1.45**

R2303\$100132-02

Bureau of LAND MANAGEMENT  
1 N, Central Ave, Suite 800  
Phoenix, AZ. 85004

Attention  
Mike  
Linninger

RECEIVED  
BLM-AZ STATE OFFICE  
2020 JAN 21 P 3:17  
PHOENIX, ARIZONA